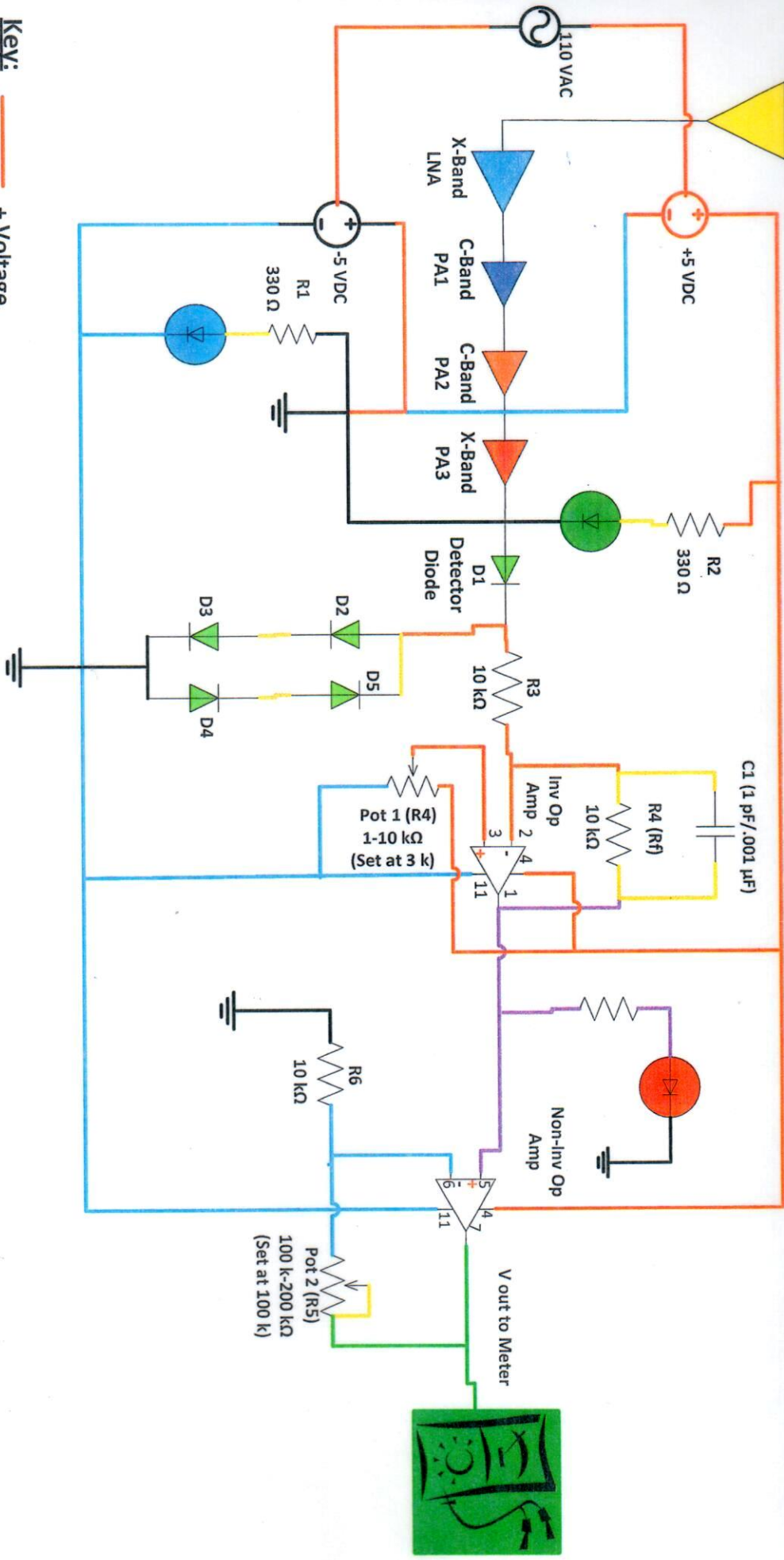


Solar Telescope
X-Band Feedhorn



Key:
+ Voltage
- Voltage
GND
Input
Output
Circuit Connection
Circuit Connection

Solar Telescope Gain Circuit Using Hardware PS & Cascading Inverting to Non-Inverting Op Amp (Quad IC LM324 Op Amp) Connection

Gregory A. Doss/Dan Mertely/Bob Brollio/Jim Boswell

Idea Conception: 30 Jan 2014
(Final Draft & Circuit Proven 06 Feb 2014)

Diagram Version: 7
(Updated 13 Feb 2014)